



DMP16-2E Dump



CONTACT US

(360) 786-1890

2649 RW Johnson BLVD. SW

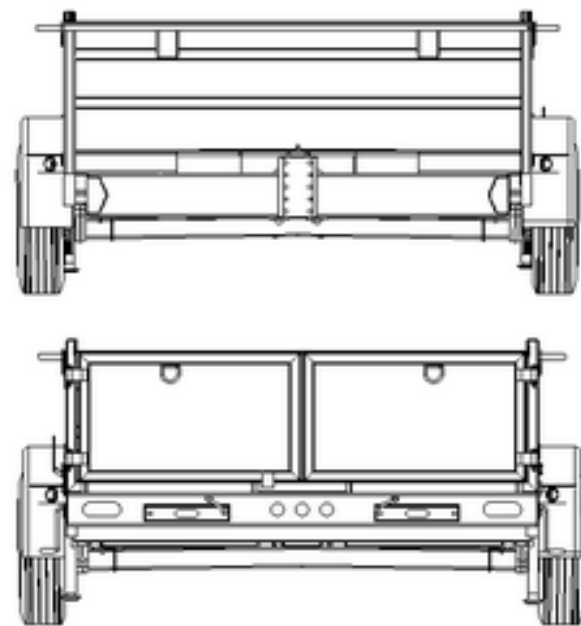
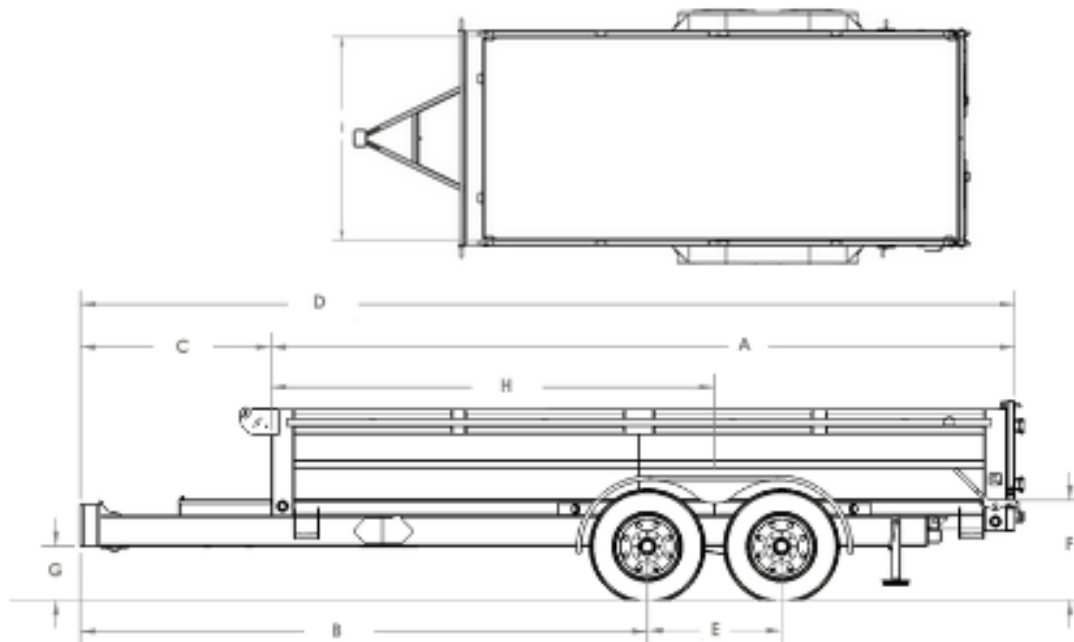
Tumwater, WA 98512

sales@olympictrailermanufacturing.com

www.olympictrailermanufacturing.com

**Designed & built in
Washington State**

OLYMPIC DMP16-2E 16' SPECIFICATIONS



CAPACITY AT 60 MPH

G.V.W.R.....	16,000 lbs.
TRAILER WEIGHT.....	5,440 lbs.
PAYLOAD CAPACITY.....	10,560 lbs.

DIMENSIONS:

A. DECK LENGTH.....	16'
B. HITCH TO FRONT AXLE.....	12.5'
C. TONGUE LENGTH.....	50"
D. OVERALL LENGTH.....	20'
E. AXLE SPACING.....	35"
F. DECK HEIGHT.....	26"
G. HITCH HEIGHT.....	14"
H. FRONT OF DECK TO CENTER OF TILT.....	9.6'
I. DECK WIDTH.....	82"

FEATURES:

AVAILABLE DECK LENGTHS.....	16', 14'
HITCH.....	ADJUSTABLE PINTLE COUPLER
JACKS.....	10K DROP LEG POWER JACK AND DUAL 5,000 LB. SIDE WIND SWIVEL DROP LEG
TOOLBOX.....	DOUBLE DECKER LOCKABLE, IN TONGUE AREA
SAFETY CHAINS.....	TWO 3/8" HIGH TEST 36" CHAINS
LIFT.....	10 TON SCISSOR HOIST W/ GROUP 24 DEEP CYCLE, SRM-24 BATTERY PUMP.....12VDC HYDRAULIC POWER UP/POWER DOWN
TIES DOWNS.....	4 D-RINGS (2 EACH SIDE WALL)
AXLES.....	8,000 LB. TORSION
BRAKES.....	12" x 3.5" ELECTRIC BRAKES ON 8-LUG HUBS
HUBS.....	OIL BATH TYPE 8 ON 275MM
SUSPENSION.....	TORSION
WHEELS.....	MODULAR TYPE 6.75" x 17.5"
TIRES.....	ST215/75R17.5 16 PLY, RADIAL
ELECTRICAL.....	ICC/DOT APPROVED, SEALED SYSTEM RUBBER ISOLATED
DECKING.....	3/16" MILD STEEL
PAINT.....	PRIMER SEALED, THEN TWO COATS OF ACRYLIC ENAMEL FINISH WITH CATALYST HARDENERS FOR A DURABLE FINISH